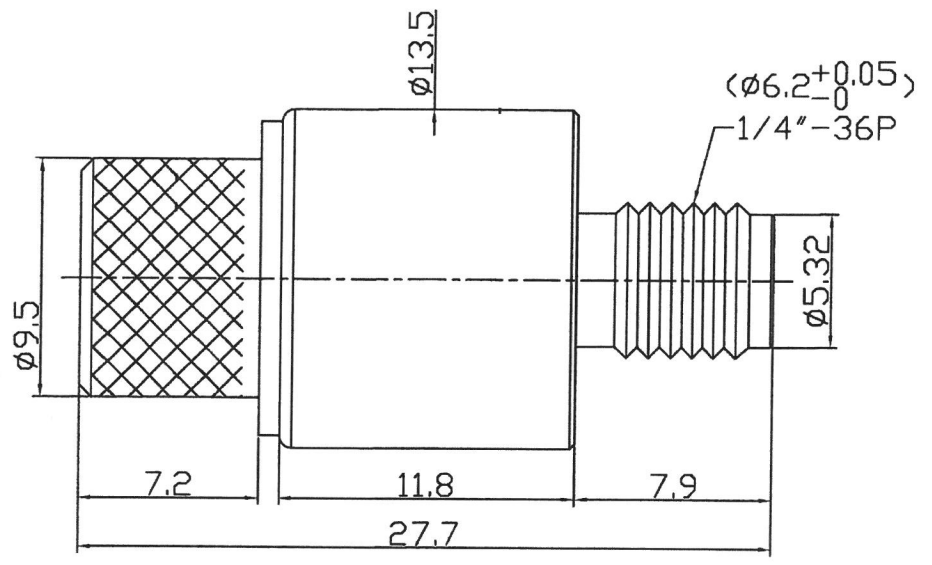
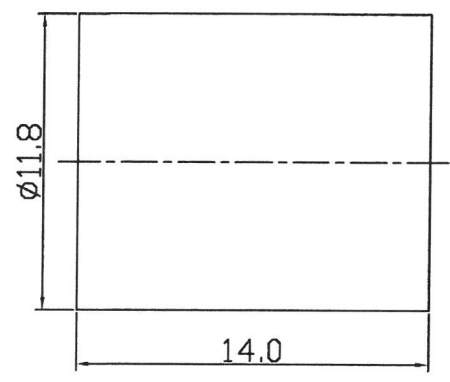
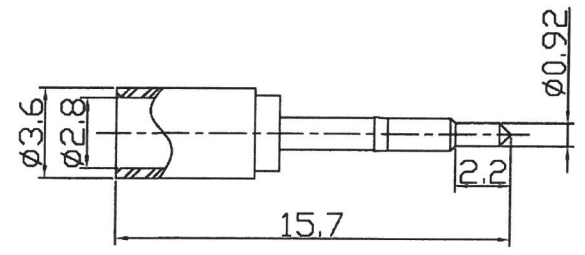


ROHS

ISO 9001
ISO 14001



Material:		Treatment:					
Drawer	Design	Aprov	Tolerance	Unit: mm		TITLE	RP SMA F CFD400
			X=±0.5	Ver: A	Scale 4:1	Model NO	
			.X=±0.2	File NO: QR0402		Drawing NO	602-052-004-103
			.XX=±0.1				
			.XXX=±0.05				
Part NO	CR-SMAFCFD400-454A/B/D						