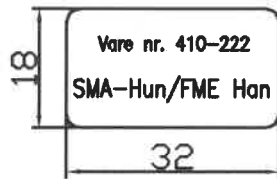


ROHS

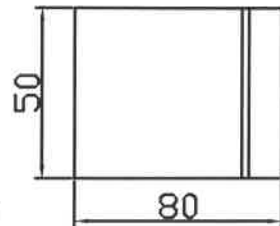
ISO 9001

ISO 14001

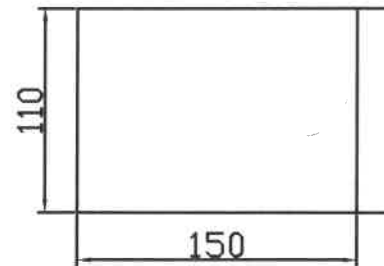
Unit packaging label



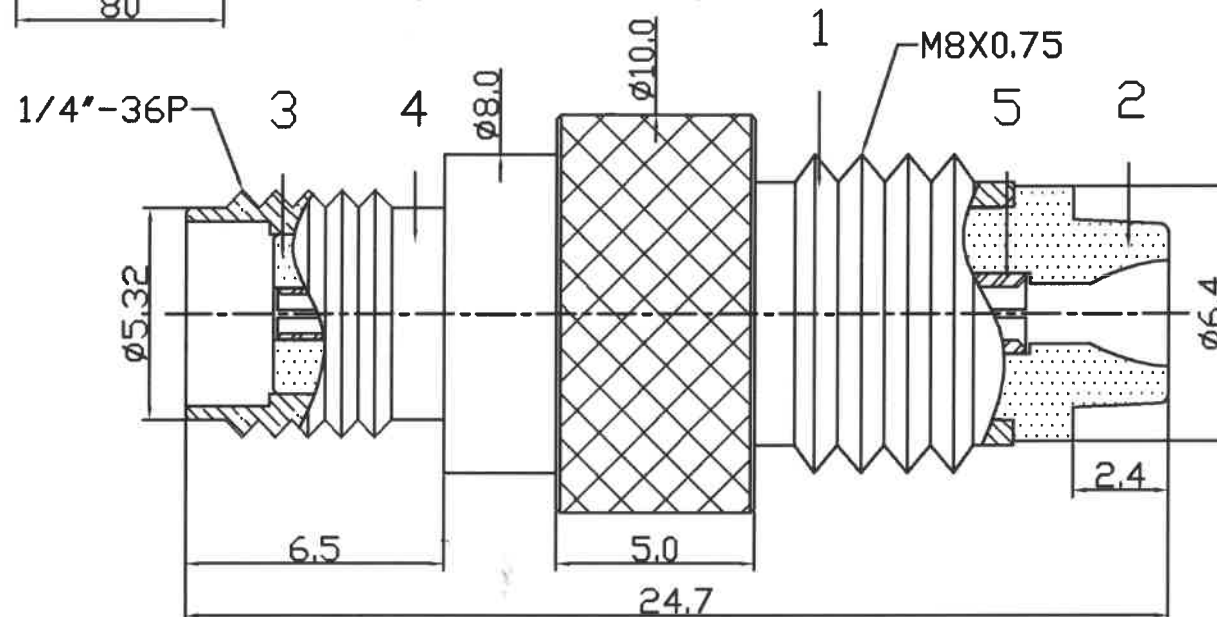
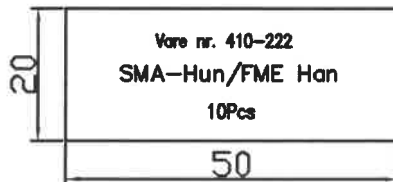
Unit packaging zipper bag



10pcs packaging PE bag



10pcs packaging label



5	PI-G2.5X18.8-289B	PIN/PHOSPHOR BRONZE/GOLD	1								
4	TM-W5.9X9.90-498	INSULATOR/PTFE/WHITE	1								
3	TC-G8.0X11.0-234B	BODY/BRASS/GOLD	1	Material:	Treatment:			TRANSVOICE			
2	TM-W6.4X7.0-536	INSULATOR/POM/WHITE	1	Drawer	Design	Aprov	Tolerance				
1	TC-N10.0X11.5-205B	BODY/BRASS/NI	1				X=±0.5 X=±0.2 XX=±0.1 XXX=±0.05	Ver: A	Scale 6:1	Model NO	410-222
NO	DESCRIPTION	MATERIAL / FINISH	Q'TY					File NO:	QR0402	Drawing NO	100-27001-0168
Part NO	XP-CR533-6377										